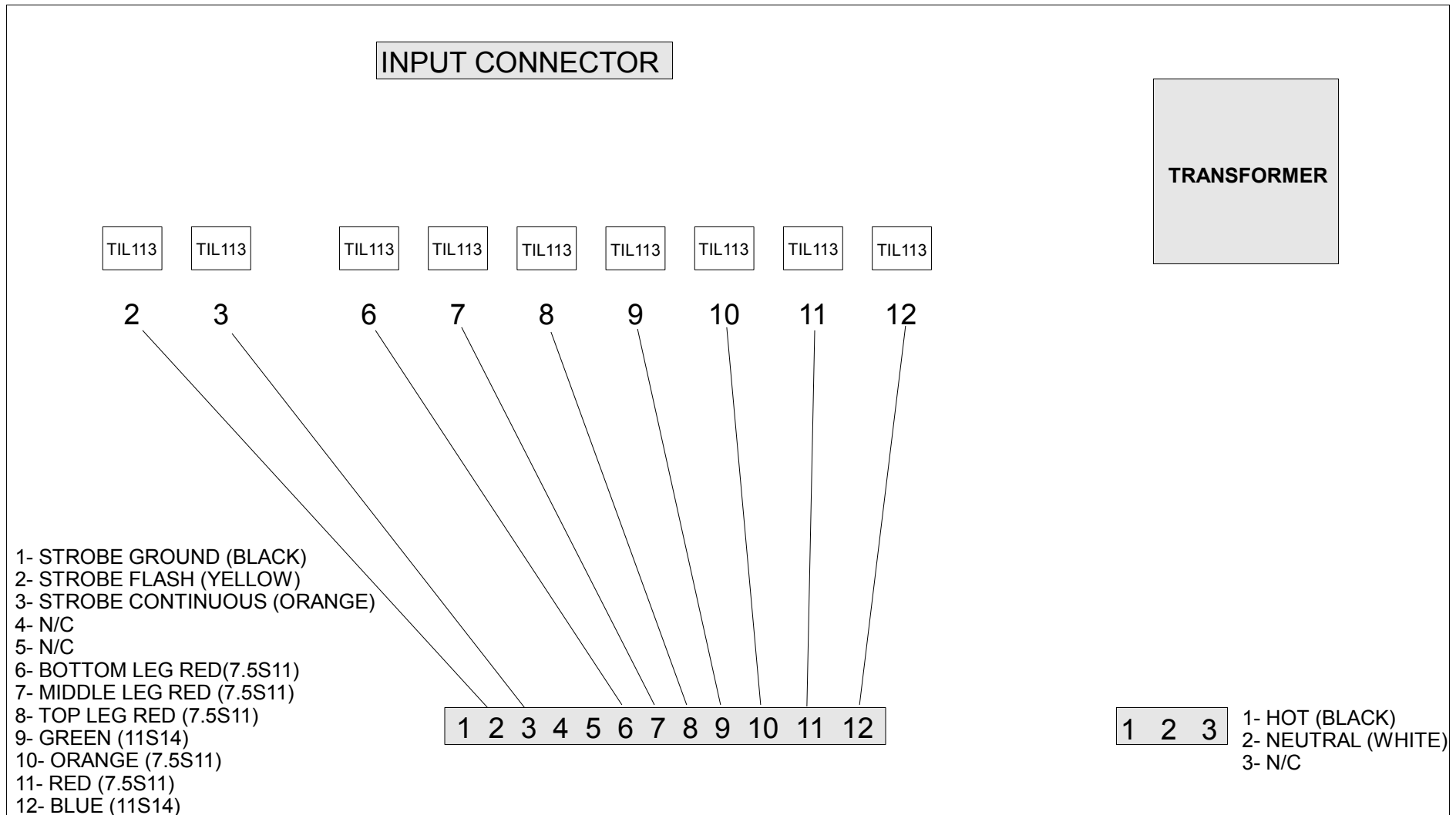
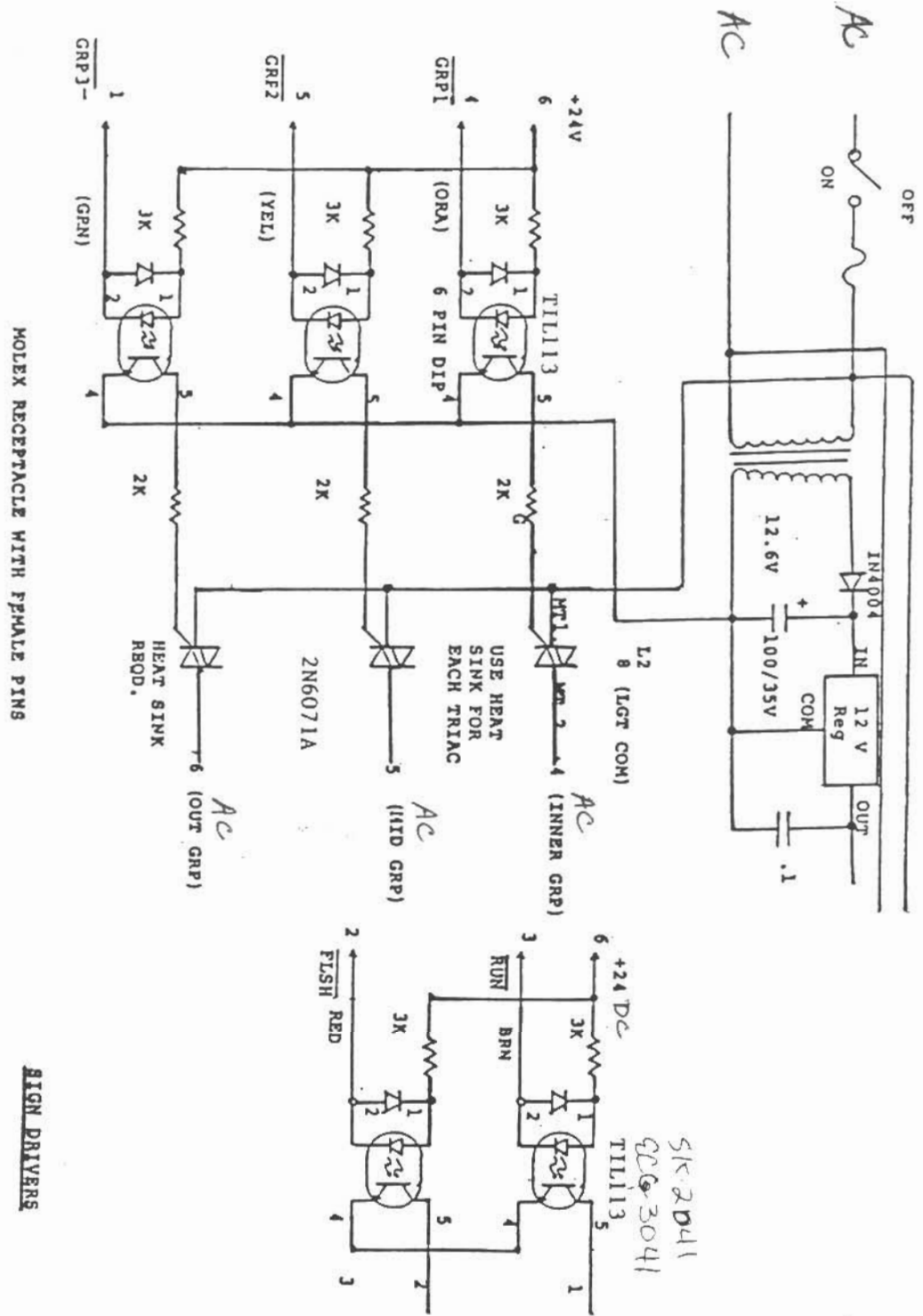


3 STAGE ORGAN BOARD



SHOWBIZ PIZZA TIME



+12VDC Check @ Voltage Regulator using FMS for ground

EMPLOYEE TRAINING

ORGAN LIGHT LAYOUT

